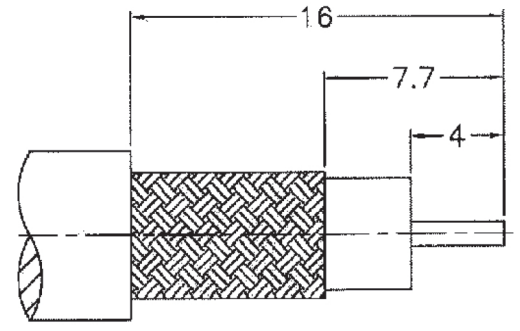
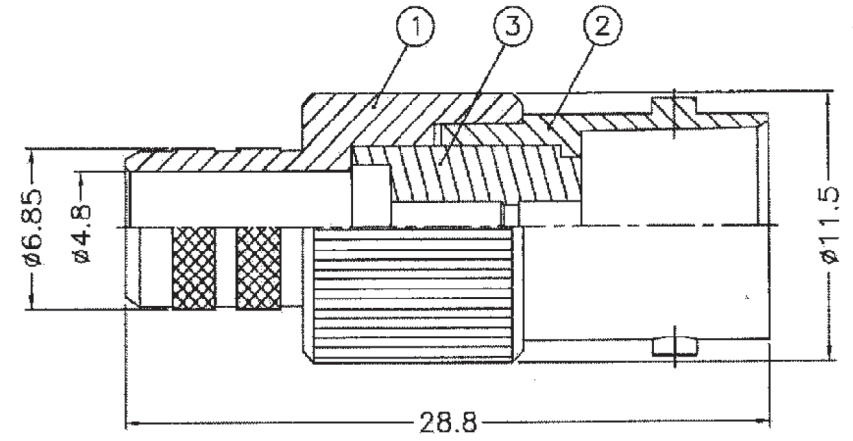
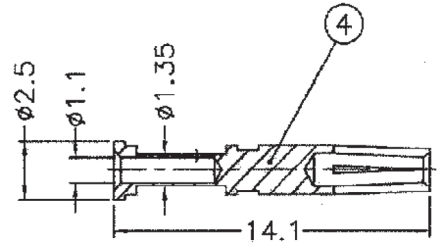
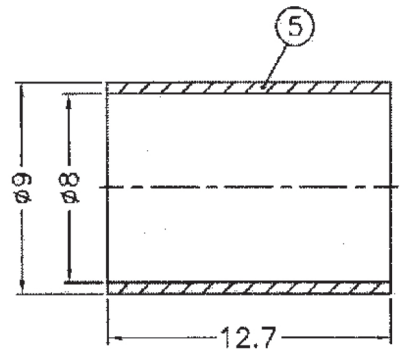


REVISIONS				
ZONE	REV	DESCRIPTION	DATE	APPROVED
		Replace 022-45	10/25/2017	

RoHS Compliant



RECOMMENDED CABLE STRIPPING DIM'S

- 1. CRIMPED FERRULE  
HEX. CRIMP SIZE .324"
- 2. CRIMPED CONTACT PIN  
SQ. CRIMP SIZE .042"

NOTES: FINISH (PLATING THICKNESS IN MICRO-INCHES)

1. BRASS
2. NICKEL PL. 100 MIN. THICK OVER COPPER PL. 50 MIN. THICK
3. PHOSPHOR BRONZE
4. GOLD PL. 3 MIN. THICK OVER NICKEL PL. 50 MIN. THICK OVER COPPER PL. 50 MIN. THICK
5. TEFLON

NO.	DESCRIPTION	MATERIAL	FINISH	Q'TY
5	FERRULE	NOTE 1	NOTE 2	1
4	CONTACT PIN	NOTE 3	NOTE 4	1
3	INSULATOR	NOTE 5	NATURAL	1
2	BODY	NOTE 1	NOTE 2	1
1	HOUSING	NOTE 1	NOTE 2	1

BNC Female Crimp Connector- RG6 PVC

BY	DATE	<b>Show Me</b> CABLES
DRAWN		
CHK'D		PART NO <b>3022</b>
APPRV		
MATERIAL		UNITS SCALE
FINISH		
		SHEET 1 of 1

60-950

6056-09